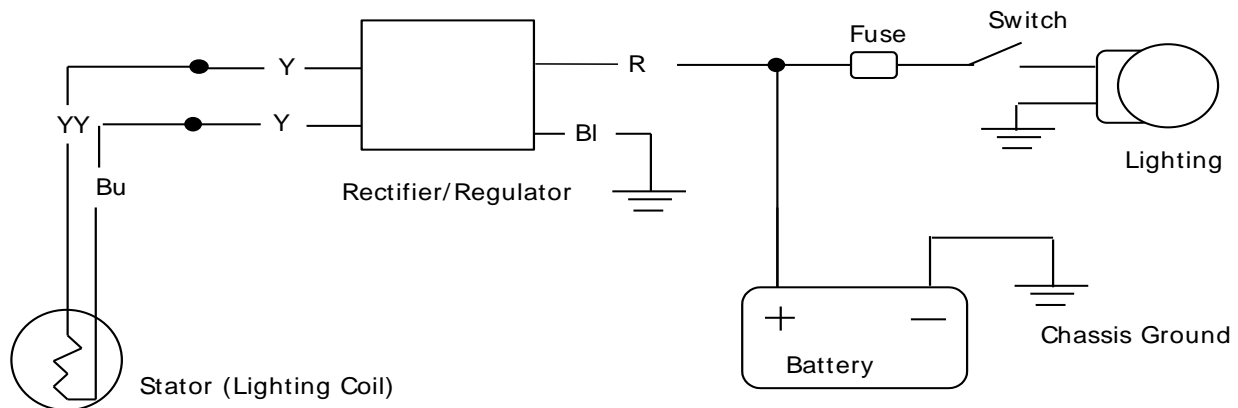




4-Stroke Regulator/Rectifier with Rewound Stator Instructions

Below is a simple schematic of the way your stator, battery and rectifier/regulator should wire together. From the Husaberg stator, join the two yellow wires together into one connector and plug them into one of the two yellow wires (doesn't matter which) from the rectifier/regulator.

Plug the blue wire from the stator into the other yellow wire from the rectifier/regulator. Plug the remaining wires from the stator back into their corresponding mates from the stock wiring. Your DC grounds may be made common via the chassis as shown in the schematic above or you may use a common "ground wire."



Baja Designs • 185 Bosstick Blvd. • San Marcos • CA • 92069

Phone 760.560.2252 • Fax 760.560.0383 • info@bajadesigns.com

www.bajadesigns.com

October 2011